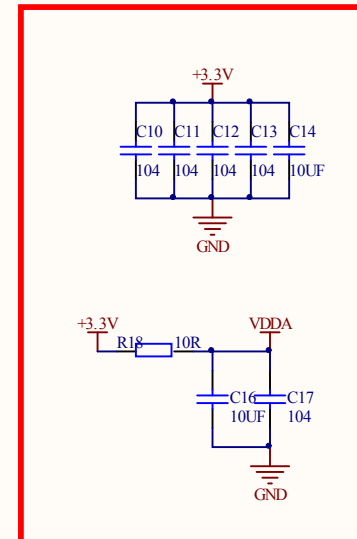
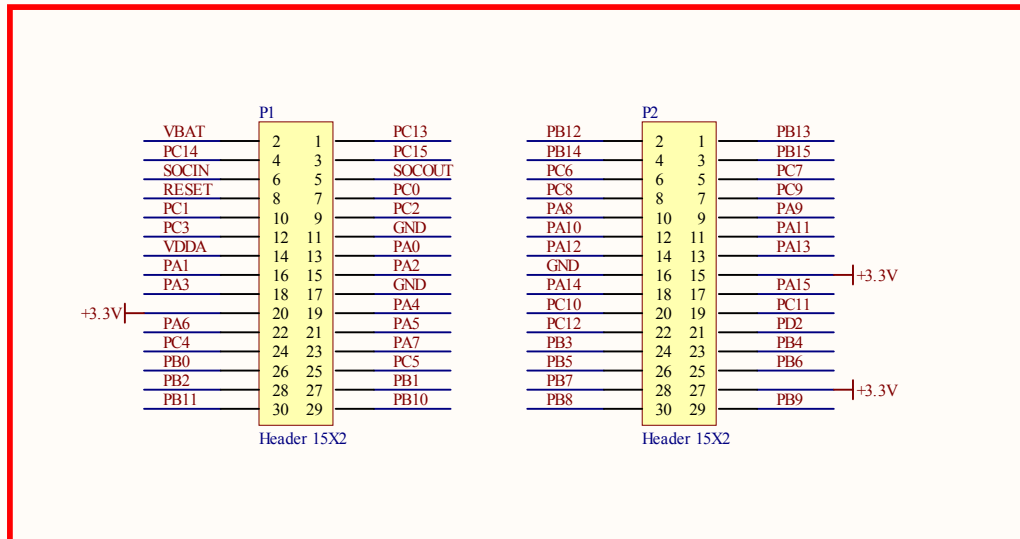
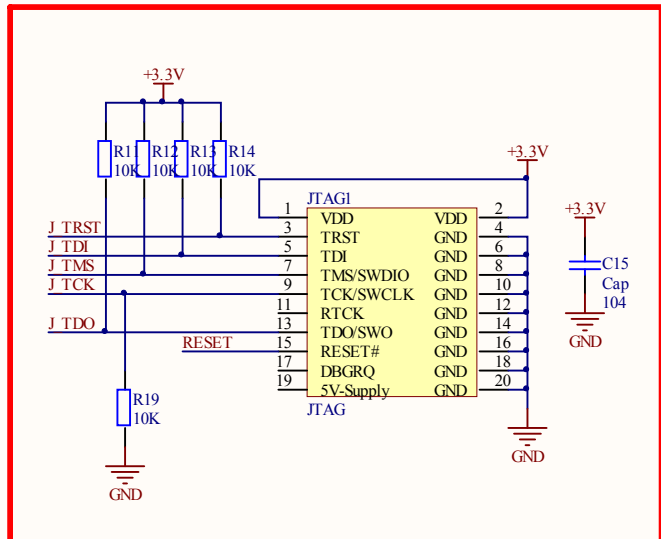
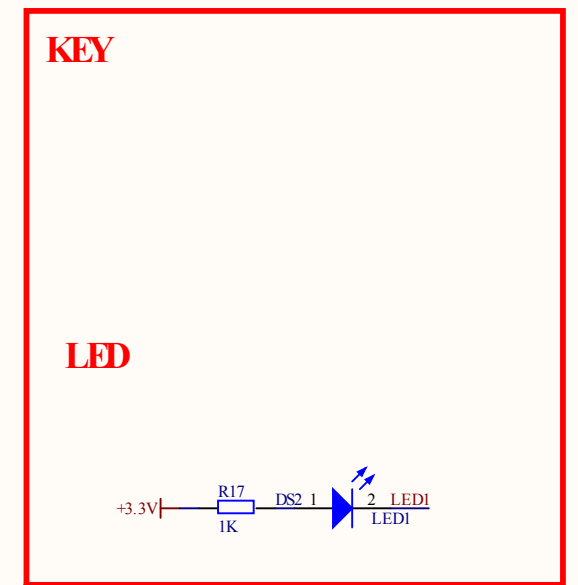
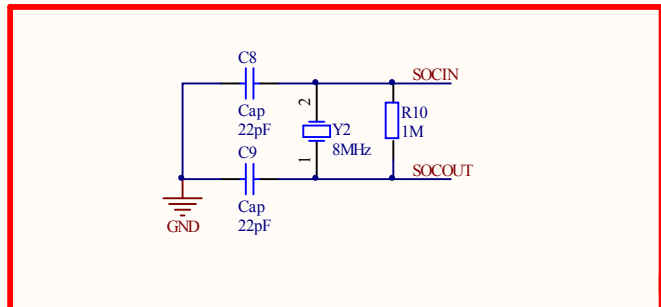
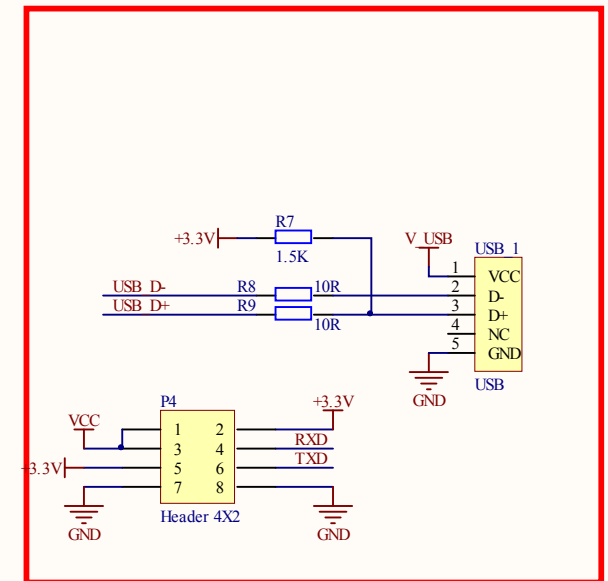


U2	
VBAT	1
PC13	2
SOC32_1	3
SOC32_2	4
SOCIN	5
SOCOUT	6
RESET	7
PC0	8
PC1	9
PC2	10
PC3	11
GND	12
VDDA	13
PA0	14
PA1	15
PA2	16
PA3	17
GND	18
+3.3V	19
PA4	20
PA5	21
PA6	22
PA7	23
PC4	24
PC5	25
PB0	26
PB1	27
BOOT1	28
PB10	29
LED1	30
GND	31
+3.3V	32
VBAT	64
PC13/ANT1	62
PC14/OSC32	61
PC15/OSC32	60
PD0/OSCIN	59
PD1/OSCOUT	58
NRST	57
PC0/ADC10	56
PC1/ADC11	55
PC2/ADC12	54
PC3/ADC13	53
VSSA	52
VDDA	51
PA0/WKUP/ADC0/TIM2_CH1_ETR	50
PA1/ADC1/TIM2_CH2	49
PA2/U2_TX/ADC2/TIM2_CH3	48
PA3/U2_RX/ADC3/TIM2_CH4	47
VSS	46
VDD	45
PA4/SPI1_NSS/ADC4	44
PA5/SPI1_SCK/ADC5	43
PA6/SPI1_MISO/ADC6/TIM3_CH1	42
PA7/SPI1_MOSI/ADC7/TIM3_CH2	41
PC4/ADC14	40
PC5/ADC15	39
PB0/ADC8/TIM3_CH3	38
PB1/ADC9/TIM3_CH4	37
PB2/BOOT1	36
PB10/I2C2_SCL/U3_TX	35
PB11/I2C2_SDA/U3_RX	34
GND	33
+3.3V	32
VDD	63
VSS	62
PB9/TIM4_CH4	61
PB8/TIM4_CH3	60
BOOT0	59
PB7/I2C1_SDA/TIM4_CH2	58
PB6/I2C1_SCL/TIM4_CH1	57
PB5/I2C1_SMBAL	56
PB4/JTRST	55
PB3/JTDO	54
PD2/TIM3_ETR	53
PC12	52
PC11	51
PC10	50
PA15/JTDI	49
PA14/JTCK/SWCLK	48
VDD	47
VSS	46
PA13/JTMS/SWDIO	45
PA12/CAN_TX/USBDM/TIM1_CH4	44
PA11/CAN_RX/USBDM/TIM1_CH3	43
PA10/U1_RX/TIM1_CHB	42
PA9/U1_TX/TIM1_CH2	41
PA8/TIM1_CH1/MCO	40
PC9	39
PC8	38
PC7	37
PC6	36
PB15/SPI2_MOSI/TIM1_CH3N	35
PB14/SPI2_MISO/TIM1_CH2N	34
PB13/SPI2_SCK/TIM1_CH1N	33
PB12/SPI2_NSS/I2C2_SMBAL/TIM1_BKIN	32

STM32F103RBT6, STM32F103RCT6, STM32F103RET6, STM32F103R8T6



Title		
Size	Number	Revision
A3		
Date:	2015/10/24	Sheet of
File:	E:\STM32 \_\Sheet1.SchDoc	Drawn By:

Comment	Description	Designator	Footprint	LibRef	Quantity
BATT		BAT1	BATM	BAT	1
Cap Pol2	Polarized Capacitor (Axial)	C1	CAP A	Cap Pol2	1
Cap	Capacitor	C2, C3	1206D	Cap	2
Cap	Capacitor	C5	0805C	Cap	1
Cap	Capacitor	C6, C7, C8, C9, C15	0603R	Cap	5
Cap	Capacitor	C10, C11, C12, C13, C14, C16, C17	0603C	Cap	7
LED0	Typical INFRARED GaAs LED	D1	0603D	LED0	1
LED1	Typical RED, GREEN, YELLOW, AMBER GaAs LED	DS2	0603D	LED2	1
500MA	Fuse	F1	1206D	Fuse 1	1
JTAG		JTAG1	JTAG_20	JTAG	1
Header 15X2	Header, 15-Pin, Dual row	P1, P2	HDR2X15	Header 15X2	2
Header 4X2	Header, 4-Pin, Dual row	P4	HDR2X4	Header 4X2	1
Res2	Resistor	R1, R3, R4, R5, R6, R7, R8, R9, R10, R11, R12, R13, R14, R17, R18, R19	0603R	Res2	16
Res2	Resistor	R2	0805R	Res2	1
KEY_M		RESET	KEY_C	KEY_M	1
SW DIP-2	DIP Switch, 2 Position, SPST	S1	BM-2.54mm	SW DIP-2	1
1117-3.3		U1	SOT89	1117-3.3	1
STM32F103RBT6,S TM32F103RCT6,ST M32F103RET6,ST M32F103R8T6		U2	LQFP64	STM32F103RBT6	1
USB		USB_1	USB/SM0.8-6H5	USB5	1
32.768Khz	Crystal Oscillator	Y1	XTAL32	XTAL	1
8MHz	Crystal Oscillator	Y2	XTAL_US	XTAL	1